

INNOVATE • DEVELOP • MANUFACTURE

ENGINEERING

From engineering services to development of equipment on specifications, Nexteam group ensures the management of projects in order to supply innovative products and to reach the best performance in production.



Complex mechanical equipment

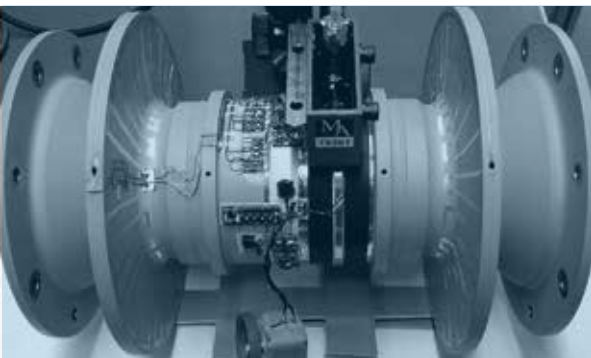
Our mission :

Help you

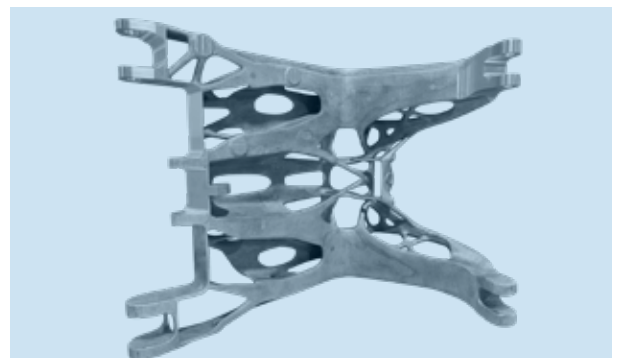
To innovate
 To develop
 To optimize

ACTIVITIES

- R & D : we help you to improve your competitiveness by support you with our experts and by proposing our research works.
- STUDY & DEVELOPMENT : design your parts and sub-assemblies.
- PRODUCTION : we support you in developing optimized process and innovative approach.



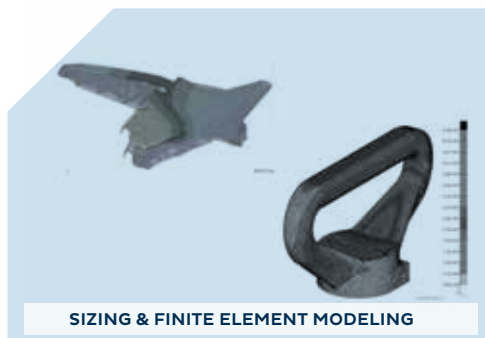
Power drive line shaft



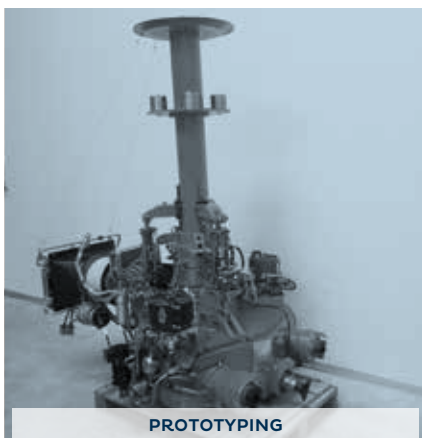
Optimized part for A/C door

OUR DOMAINS OF EXPERTISE

Cost and weight optimization of existing products / Technology improvements for future products / Support in research and innovation / Parts and assemblies design / Built To Specification WP / Development / Prototyping / Qualification / Serial production / Production optimization.



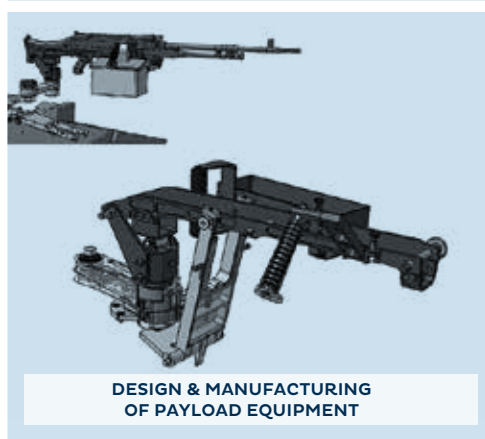
SIZING & FINITE ELEMENT MODELING



PROTOTYPING



DESIGN & MANUFACTURING OF STRUCTURAL EQUIPMENT



DESIGN & MANUFACTURING OF PAYLOAD EQUIPMENT



DEVELOPMENT OF SPECIFIC FACILITIES FOR PRODUCTION & REPAIR

ENVIRONMENT

- ▶ Decarbonation trajectory submitted with STBi
- ▶ Deployment of audits energy on sites
- ▶ Waste tracking and recovery plan

SOCIAL

- ▶ Creation of Nexteam Academy dedicated to training
- ▶ Promoting work for people with disabilities
- ▶ Investment in working conditions

Learn more

GOVERNANCE

- ▶ Reliability of carbon footprint
- ▶ Emphasizing sustainable purchasing charter
- ▶ Establishment of a voluntary ESG report



OUR CERTIFICATIONS

